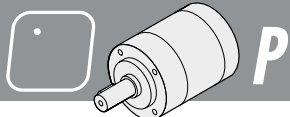


Indice	Index	Pag. Page
Caratteristiche tecniche	<i>Technical features</i>	C2
Designazione	<i>Classification</i>	C2
Versioni	<i>Versions</i>	C2
Simbologia	<i>Symbols</i>	C2
Lubrificazione	<i>Lubrication</i>	C3
Carichi radiali e assiali	<i>Radial and axial loads</i>	C3
Dati tecnici	<i>Technical data</i>	C4
Dimensioni	<i>Dimensions</i>	C5



Caratteristiche tecniche

Technical features

I riduttori epicicloidali della serie P hanno le seguenti caratteristiche principali:

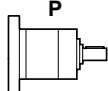
P planetary gearboxes have the following features:

- Ingresso ed uscita coassiali
- Senso di rotazione concorde ingresso/uscita
- Alte coppie in ingombri ridotti
- Adatti per servizio continuo ed intermittente

- *Coaxial arrangement of the input and output*
- *Same rotation input/output*
- *Advantageous torque with minimum space requirements*
- *Suitable for continuous, reversing and intermittent operation*

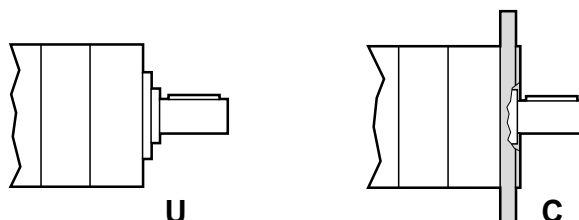
Designazione

Classification

RIDUTTORE / GEARBOX					
P	52	2	C	34.97	AS60
Tipo Type	Grandezza Size	Stadi riduttore Gearbox stages	Versione riduttore Gearbox Version	Rapporto Ratio	Flangia ingresso Input flange
	42 52 62 72 81 105 120	1 2 3	U C80 C90 C105 C120 C140 C160	Vedere tabella See tables	Vedere tabella See tables

Versioni

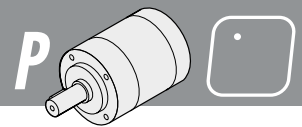
Versions



Simbologia

Symbols

Ns	Stadi / Stages	Mn ₂ [Nm]	Coppia nominale in uscita / Nominal output torque
n ₁ [min ⁻¹]	Velocità in ingresso / Input speed	Rd %	Rendimento dinamico / Dynamic efficiency
n ₂ [min ⁻¹]	Velocità in uscita / Output speed	A ₂ [N]	Carico assiale ammissibile in uscita / Permitted output axial load
i	Rapporto di riduzione / Ratio	R ₂ [N]	Carico radiale ammissibile in uscita / Permitted output radial load



Lubrificazione

Lubrication

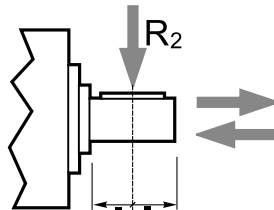
Tutti i riduttori P sono forniti completi di lubrificante, pertanto possono essere installati in qualunque posizione di montaggio e non necessitano di manutenzione.

Permanent grease long-life lubrication makes it possible to use P in all mounting positions.

Temperatura ambiente di funzionamento consentita / <i>Operating environmental temperature range</i>	-50 / +40 °C
---	--------------

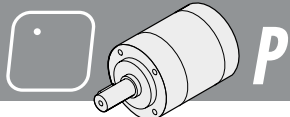
Carichi radiali e assiali

Radial and axial loads



$n_1 = 3000 \text{ min}^{-1}$

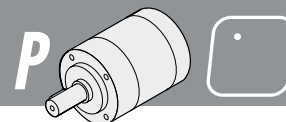
Grandezza Size	Albero uscita / <i>Output shaft</i>						Albero entrata / <i>Input shaft</i>	
	1 stadio / <i>stage</i>		2 stadi / <i>stages</i>		3 stadi / <i>stages</i>		1 - 2 - 3 stadi / <i>stages</i>	
	R_2 [N]	A_2 [N]	R_2 [N]	A_2 [N]	R_2 [N]	A_2 [N]	R_2 [N]	A_2 [N]
P42	160	50	230	80	300	110	70	40
P52	200	60	320	100	450	150	110	50
P62	240	70	360	100	520	150	120	60
P72	320	70	480	100	760	160	160	80
P81	400	80	600	120	1000	200	200	100
P105	600	120	900	180	1500	300	240	125
P120	600	120	900	180	1500	300	300	150



Ns	i	Mn ₂ [Nm]													
		P42		P52		P62		P72		P81		P105		P120	
		3000 rpm	1400 rpm	3000 rpm	1400 rpm	3000 rpm	1400 rpm	3000 rpm	1400 rpm	3000 rpm	1400 rpm	3000 rpm	1400 rpm	3000 rpm	1400 rpm
1	3.70													50	64
	4.28	3	3.9	4	5.1	8	10	14	18	20	25	35	45	—	—
	5.18													—	—
	6.75													50	64
2	13.73													150	192
	15.88													—	—
	18.36													—	—
	19.20													—	—
	22.20	7.5	9.6	12	15	25	32	42	54	60	77	105	134	—	—
	25.01													150	192
	26.85													—	—
	28.93													—	—
	34.97													—	—
	45.56													150	192
3	50.89													300	384
	58.85													—	—
	68.06													—	—
	71.16													—	—
	78.71													—	—
	92.70													300	384
	95.17													—	—
	99.50													—	—
	107.20													—	—
	115.07	15	19	25	32	50	64	84	107	120	154	195	250	—	—
	123.97													—	—
	129.62													—	—
	139.13													—	—
	149.90													—	—
	168.84													300	384
	181.24													—	—
195.26													—	—	
236.09													—	—	
307.54													300	384	

Rapporti preferenziali / Preferred ratios

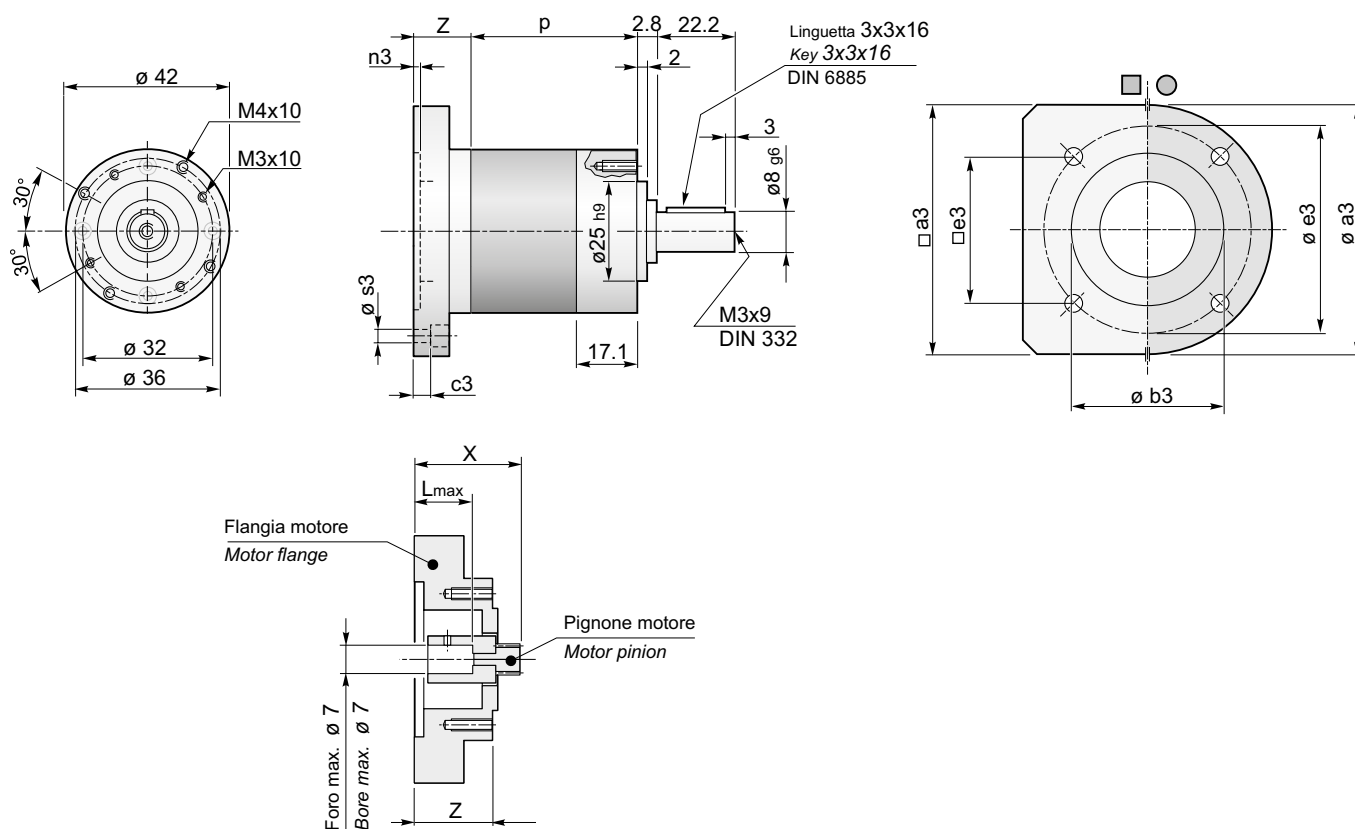
Disponibili 4 stadi con rapporti fino a 2076 / Available 4 stages with ratio up to 2076



Dimensioni

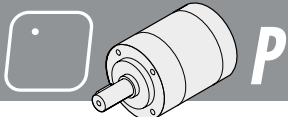
Dimensions

P42 U

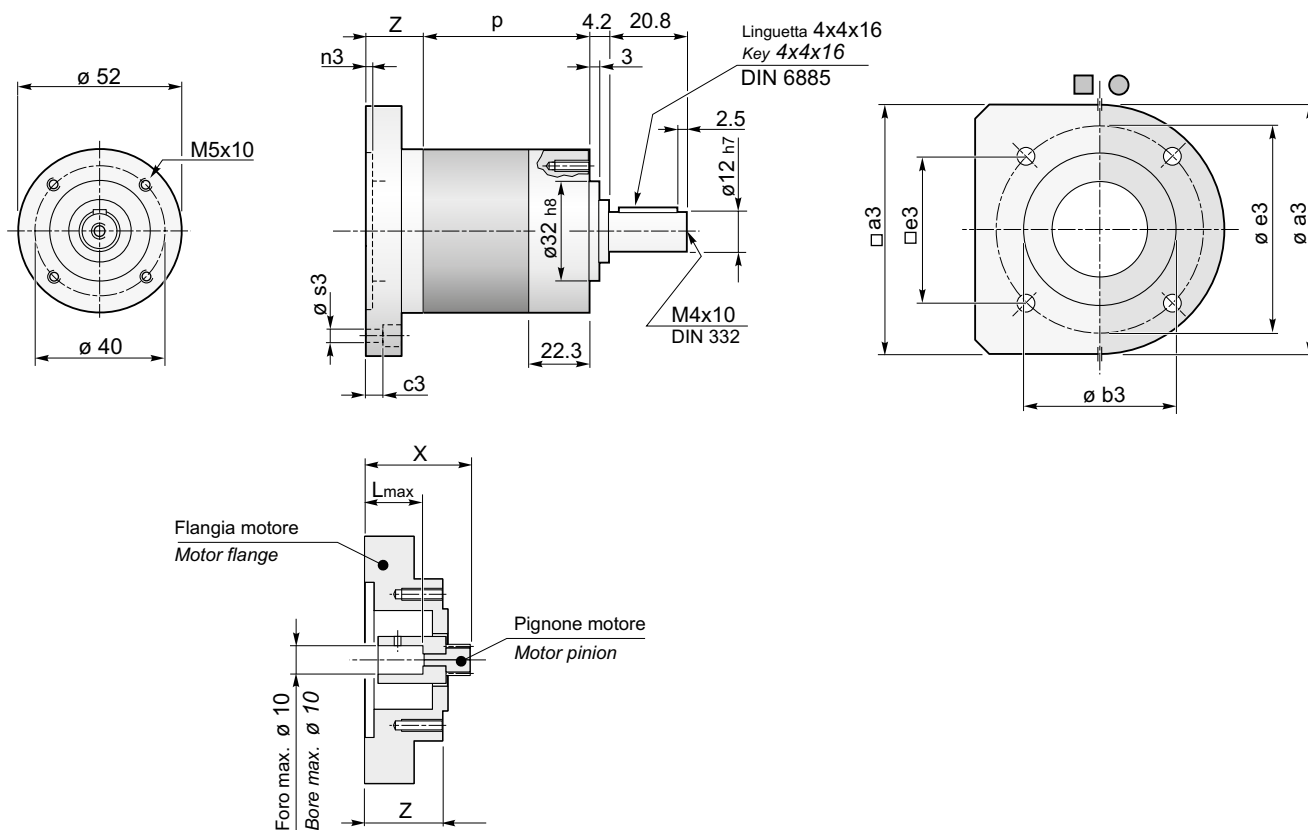


	Lunghezza riduttore Gearbox length		Peso Weight [kg]
	P		
P42...	1	39	0.4
	2	52	0.5
	3	65	0.6

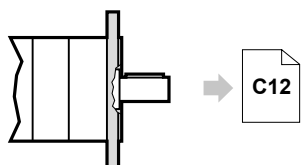
	Flange entrata / Input flanges									
	Flangia Flange	a3	b3	c3	e3	n3	s3	Z	L max	X
P42	AS05	□ 42	22	17	□ 31	3	4 - Ø 3.5	32	25	42.7
	AS11	□ 56	38.1	/	□ 47.14	3	4 - M4	27	21	37.5
	AS32	Ø 42	22	13	Ø 32	3	4 - Ø 3.5	21	15	31.5
	AS33	Ø 42	16	16	Ø 25.5	3	4 - Ø 3.5	21	15	31.5
	AS47	Ø 64	28	5	Ø 50	3	3 - Ø 4.5	26.5	25	37
	AS58	□ 52	36	/	□ 41	2	4 - M4	27	21	37.5
	AS63	Ø 44	16	24	Ø 22	2	6 - Ø 3.3	31	25	39
	AS70	Ø 80	50	8.2	Ø 65	3	4 - Ø 5.5	26	20	36.5
	AS117	□ 56	22	3	Ø 40	3	4 - Ø 5.5	19	13	29.7
				/	□ 47		4 - M4			
	AS130	Ø 52	25	15	Ø 40	3	4 - Ø 5.5	21	15	31.5
	AS134	Ø 77	50	8.2	Ø 65	3	4 - Ø 5.5	21	15	31.5
/				Ø 65	4 - M5					
AS213	□ 60	36	/	□ 50	2.5	4 - M4	28.9	23	39.4	



P52 U

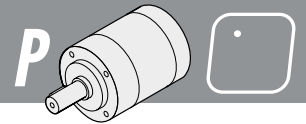


P52 C..

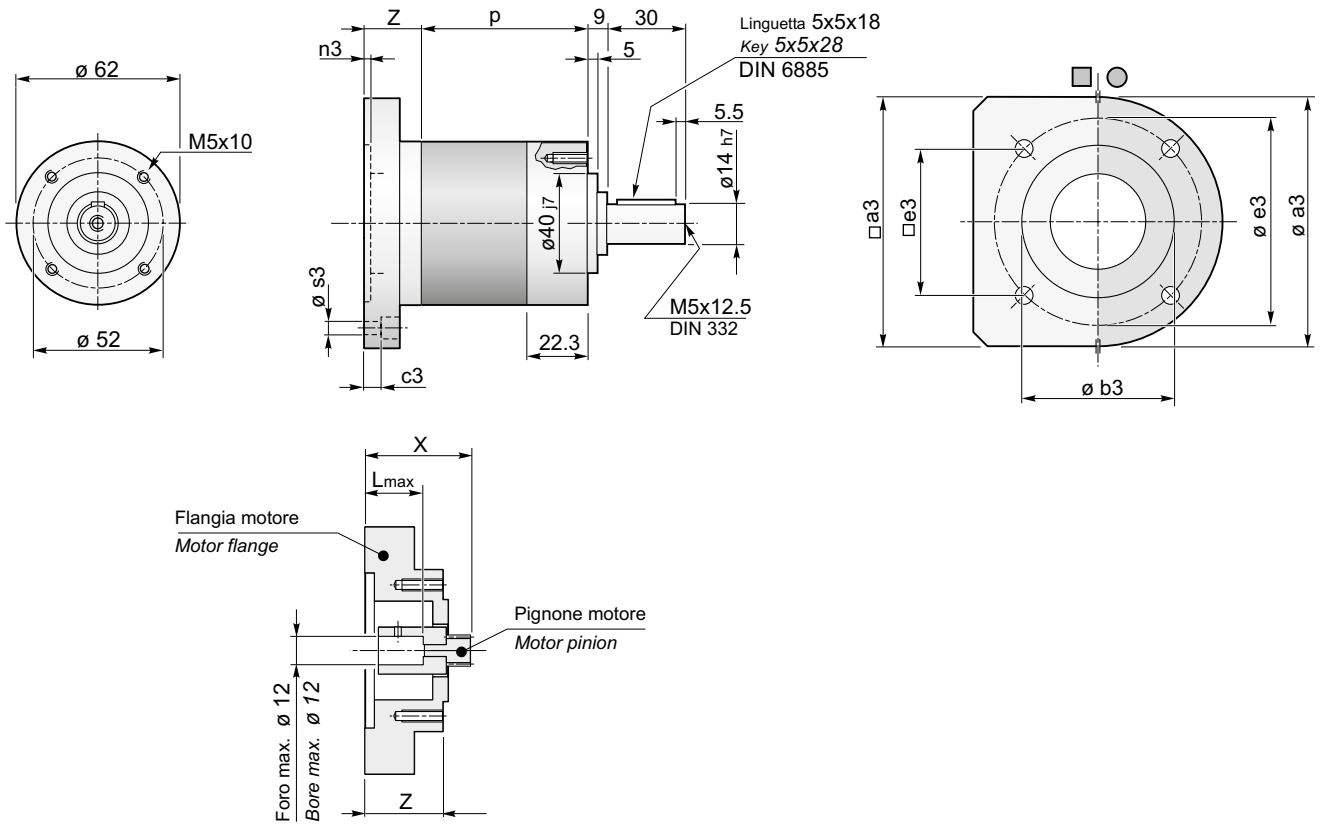


	Lunghezza riduttore Gearbox length		Peso Weight [kg]
	P		
P52...	1	46	0.7
	2	60	0.9
	3	74	1.1

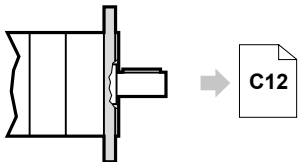
	Flange entrata / Input flanges										
	Flangia Flange	IEC	a3	b3	c3	e3	n3	s3	Z	L max	X
P52	AS09	\	□ 60	36	/	□ 50	2	4 - M4	27	20.6	37.5
	AS23	\	∅ 60	26	17.5	∅ 39	3	4 - ∅ 5.5	26.5	20	37
	AS36	\	∅ 60	28	15	∅ 42	3	4 - ∅ 5.5	21	15	31.5
	AS38	\	∅ 65	32	18	∅ 46	3	4 - ∅ 4.5	29	22.5	39.5
	AS50	\	∅ 79	45	14.5	∅ 65.5	3.5	4 - ∅ 5.5	32	24	42.5
	AS51	\	∅ 68	28	21.5	∅ 50	3	3 - ∅ 4.5	31.5	24	42
	AS60	56B14	∅ 80	50	10.2	∅ 65	3	4 - ∅ 5.5	28	20	38.5
	AS68	\	∅ 52	22	13	∅ 30	3	4 - ∅ 4.5	28	20	38.5
	AS86	\	∅ 52	30	/	∅ 46	3	4 - M4	33.5	25	44
	AS109	\	∅ 80	55	10	∅ 65	3	4 - ∅ 6.5	24	16	34.5
	AS115	\	∅ 52	25	17.5	∅ 40	3	4 - ∅ 5.5	26.5	20	37
	AS140	\	∅ 80	50	10.2	∅ 65	3	4 - ∅ 5.5	28	20	38.5



P62 U

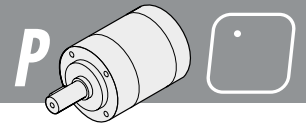


P62 C..

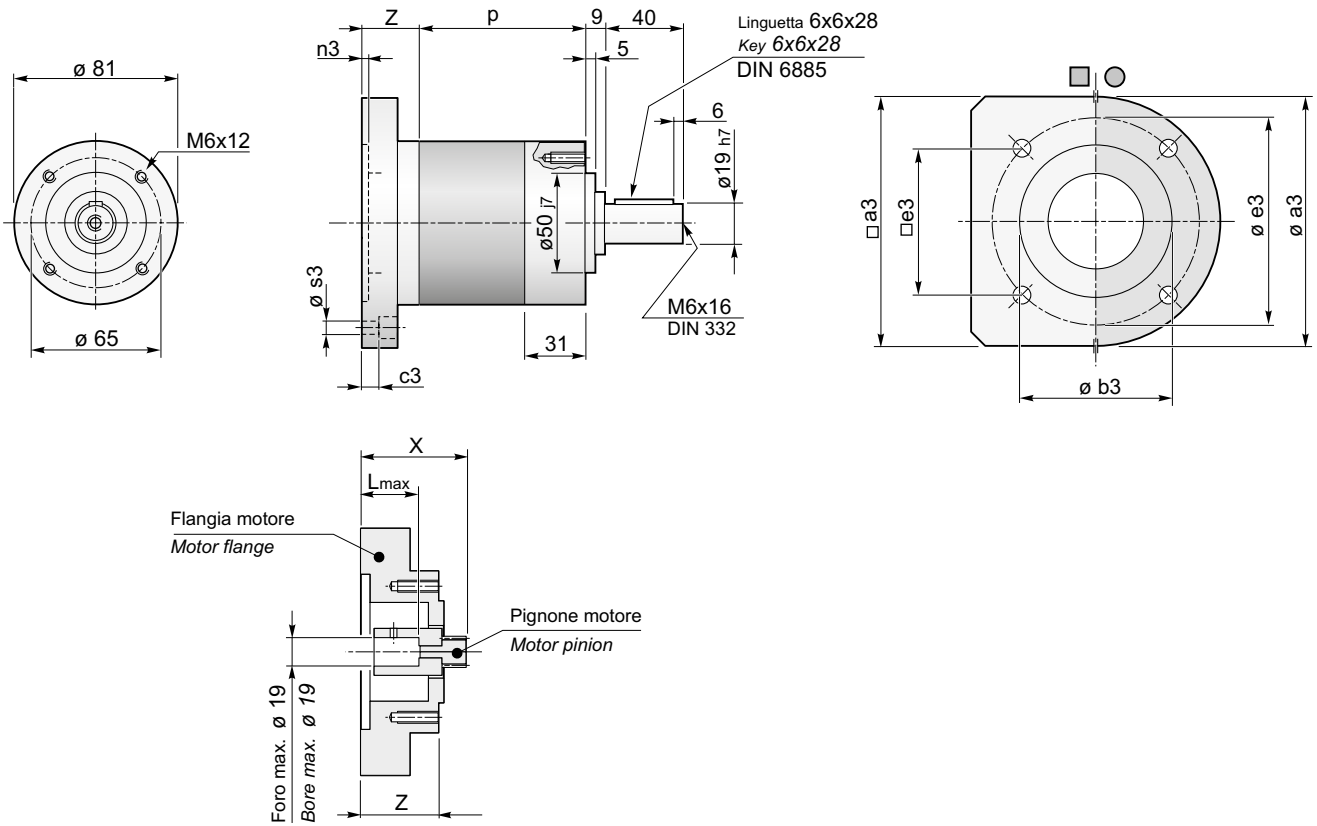


		Lunghezza riduttore Gearbox length	Peso Weight [kg]
		P	
P62...	1	46	0.8
	2	62	1.2
	3	78	1.6

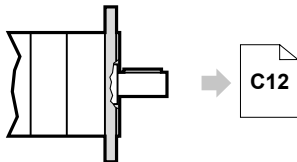
P62	Flange entrata / Input flanges										
	Flangia Flange	IEC	a3	b3	c3	e3	n3	s3	Z	L max	X
	AS08	\	□ 60	50	/	□ 49.5	4	4 - M4	37	30	49.8
	AS12	\	□ 84.5	73.02	/	□ 69.6	2	4 - M5	40	30	52.8
	AS15	\	□ 58	38.1	/	□ 47.14	2	4 - M4	30	20.6	42.8
	AS61	63B14	∅ 90	60	7	∅ 75	3	4 - ∅ 5.5	30	23	42.8
	AS244	56B14	∅ 80	50	5	∅ 65	3.5	4 - ∅ 5.5	28	20	40.8



P81 U

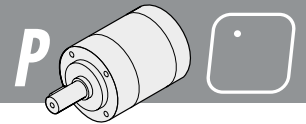


P81 C..

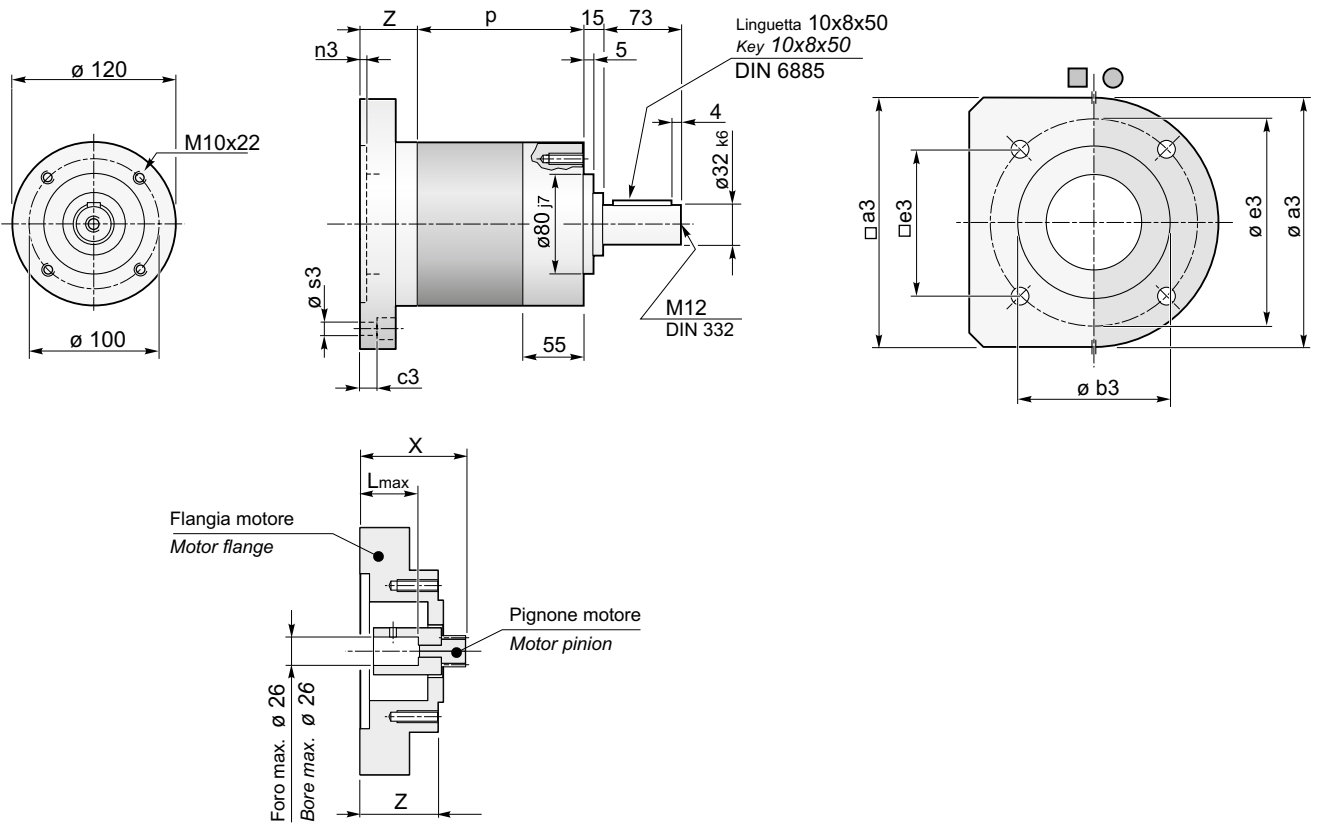


		Lunghezza riduttore Gearbox length	Peso Weight [kg]
		P	
P81...	1	59	1.8
	2	81	2.5
	3	103	3.2

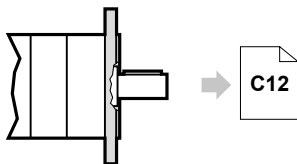
	Flange entrata / Input flanges										
	Flangia Flange	IEC	a3	b3	c3	e3	n3	s3	Z	L max	X
P81	AS04	\	□ 100	95	25	∅ 115	3.5	4 - ∅ 9	43	30	59.3
	AS12B	\	□ 85	73.02	—	□ 69.6	2	4 - M5	43	30	59.3
	AS18	\	∅ 114	80	26	∅ 100	4	4 - ∅ 6.5	53	40	69.3
	AS30	\	∅ 80	50	35.5	∅ 70	3.5	4 - ∅ 5.5	42.5	28	58.8
	AS40	\	□ 80	70	26.5	∅ 90	4	4 - ∅ 6.5	52.5	40	68.8
	AS73	\	□ 110	55.524	49.8	□ 88.9	2	4 - ∅ 8.5	67.8	55.63	84.1
	AS92	\	□ 85	35	—	□ 69.6	10.5	4 - M5	53	40.2	69.3
	AS248	56B14	∅ 80	50	5	∅ 65	3.5	4 - ∅ 5.5	35	20	48.3
	AS249	63B14	∅ 90	60	5	∅ 75	3.5	4 - ∅ 5.5	35	23	51.3
	AS254	71B14	∅ 105	70	6	∅ 85	4	4 - ∅ 6.5	42	30	58.3
	AS280	80B14	∅ 120	80	10	∅ 100	4	4 - ∅ 6.5	52	40	68.3



P120 U

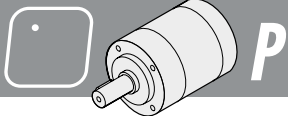


P120 C..



		Lunghezza riduttore Gearbox length	Peso Weight [kg]
		P	
P120...	1	89.7	5.6
	2	123.9	8.0
	3	158.1	10.4

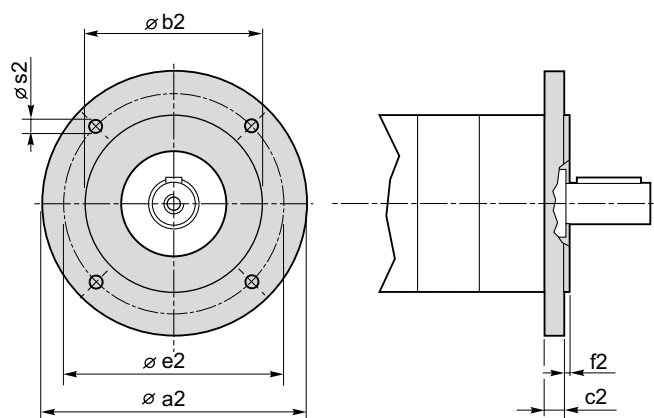
P120	Flange entrata / Input flanges										
	Flangia Flange	IEC	a3	b3	c3	e3	n3	s3	Z	L max	X
	AS255	56B14	Ø 120	50	5	Ø 65	3.5	4 - Ø 5.5	44.7	20	60.2
	AS256	63B14	Ø 120	60	5	Ø 75	3.5	4 - Ø 5.5	44.7	23	63.2
	AS257	71B14	Ø 120	70	6	Ø 85	4	4 - Ø 6.5	46.8	30	70.2
	AS282	80B14	Ø 120	80	8	Ø 100	4	4 - Ø 6.5	56.8	40	80.2
	AS283	90B14	Ø 140	95	10	Ø 115	4.5	4 - Ø 8.5	66.8	50	90.2



Dimensioni

Dimensions

P.. C..



Flange uscita / Output flanges

P	a2	b2	c2	e2	f2	s2	Flangia Flange
52	80	50 j7	9	65	2.5	M5	C80
	90	60 j7	9	75	2.5	5.5	C90
	105	70 j7	9	85	2.5	6.5	C105
	120	80 j7	9	100	3.0	6.5	C120
62	80	50 j7	9	65	2.5	M5	C80
	90	60 j7	9	75	2.5	5.5	C90
	105	70 j7	9	85	2.5	6.5	C105
	120	80 j7	9	100	3.0	6.5	C120
72	80	50 j7	9	65	2.5	M5	C80
	90	60 j7	9	75	2.5	M5	C90
	105	70 j7	9	85	2.5	6.5	C105
	120	80 j7	9	100	3.0	6.5	C120
81	90	60 j7	9	75	2.5	M5	C90
	105	70 j7	9	85	2.5	M6	C105
	120	80 j7	9	100	3.0	6.5	C120
105	120	80 j7	12	100	3	M6	C120
	140	95 j7	12	115	3.5	M8	C140
	160	110 j7	12	130	3.5	M8	C160
120	140	95 j7	15	115	3	M8	C140
	160	110 j7	15	130	3.5	M8	C160